

D3060

700-310-TC | 700-319

PRODUCT MANUAL

TABLE OF CONTENTS

INTRODUCTION

Reference Guide	3
Overview	4
Physical Characteristics	4

BATTERY

Charging the Battery	5
----------------------	---

OPERATIONAL MODES

Modes, Output & Battery Life	5 - 6
------------------------------	-------

INSTALLATION	7
---------------------	---

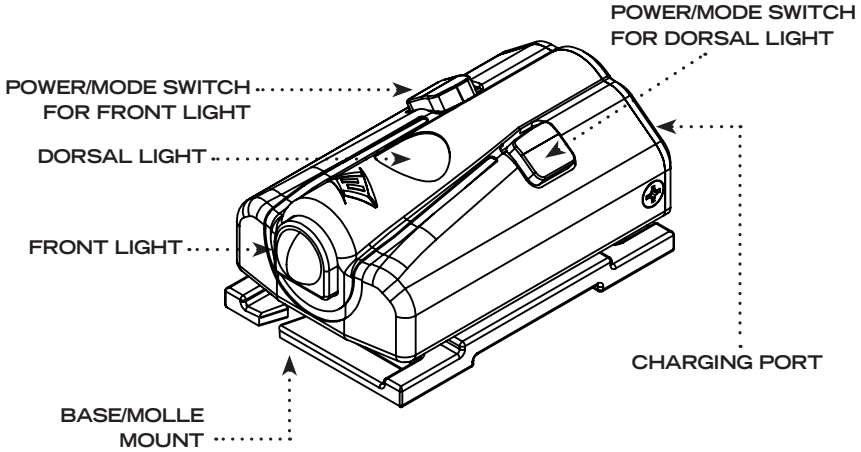
WARNINGS/WARRANTY	8
--------------------------	---

CARE/CLEANING	8
----------------------	---

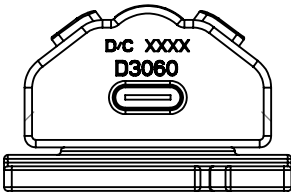
CONTACT FOXFURY	9
------------------------	---

D3060 REFERENCE GUIDE

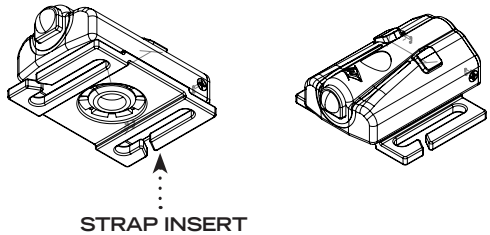
FULL ASSEMBLY



CHARGING PORT USB-C

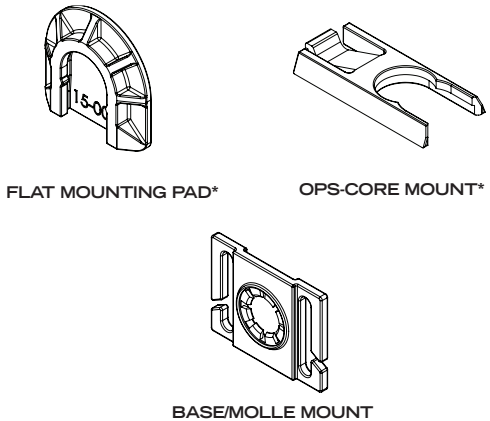


BASE/MOLLE MOUNT ROTATES 360°



WHAT'S INCLUDED

- ▣ Base/MOLLE Mount
- ▣ 3M Dual Lock Strip (2 ea)
- ▣ USB-C Cable
- ▣ D Series Mount Set* includes (*P/N 700-319 Only):
 - Flat Mounting Pad
 - Ops-Core Mount
 - Base/MOLLE Mount
 - 5915 VHB Tape
 - 3M Dual Lock Reclosable Fastener (2 ea)



OVERVIEW

The D3060 is a multi-function utility light. It mounts to most drones, MOLLE, and straps via the Base/MOLLE mount with provided 3M Dual Lock Strips or customer supplied straps. Its 30° and 60° dual LEDs can operate with a high, low, or strobe mode to provide omni-directional lighting. This rechargeable and waterproof light is durable and compact for a variety of uses where light is needed in a tight space.





IMPORTANT!

Please fully charge the D3060 before using it for the first time. Please read this manual before using your D3060 as it relays beneficial operating and safety Information.

PHYSICAL CHARACTERISTICS

DIMENSIONS	1.3 x 2.3 x 0.9 in (33 x 58 x 23 mm)
WEIGHT	1.3 oz (37 g) with Base/MOLLE Mount

WARNINGS

-  Please fully charge the D3060 before using it for the first time.
 -  Do not stare into the LEDs for long periods of time or from a close range (less than 2 ft / 0.6 m).
 -  While using any FoxFury product, please operate at safe speeds.
 -  It is the responsibility of drone/UAV users to follow FAA and global laws and regulations and/or the laws and regulations applicable to the flight location.
-

BATTERY

CHARGING THE BATTERY

- ❖ Connect the provided USB-C Cable to the Charging Port, and to a USB port.
- ❖ While charging, a red light will be on. Once charged, it will turn to green.
- ❖ Charge time should be approximately 1.5 hours.

WARNINGS:

Unplug the light once charged to avoid impacting battery life.

If battery is fully discharged because the unit may have not been in use for many months, please charge fully.

OPERATIONAL MODES

P/N 700-310-TC

WHITE LIGHT	MODE	LUMENS	BATTERY LIFE
FRONT LIGHT ONLY	HIGH	200	1.5 hours
	LOW	60	2.5 hours
	STROBE	200	2 hours
DORSAL LIGHT ONLY	HIGH	160	1.7 hours
	LOW	50	3 hours
	STROBE	160	2 hours
BOTH FRONT AND DORSAL LIGHTS	HIGH	N/A*	N/A*
	LOW	60 FRONT 50 DORSAL	2 hours
	STROBE	200 FRONT 160 DORSAL	1.5 hours

*Thermal protection circuit will automatically reduce the Dorsal Light to low mode when the Front Light is on high mode. The battery life for this setup is 1 hour.

P/N 700-319

IR LIGHT	MODE	mW	BATTERY LIFE
FRONT LIGHT OR DORSAL LIGHT ONLY	HIGH	400	1.5 hours
	LOW	150	2.5 hours
	STROBE	400	2 hours
BOTH FRONT AND DORSAL LIGHTS	HIGH	N/A*	N/A*
	LOW	150	2 hours
	STROBE	400 FRONT 150 DORSAL	1.5 hours

*Thermal protection circuit will automatically reduce the Dorsal Light to low mode when the Front Light is on high mode. The battery life for this setup is 1 hour.

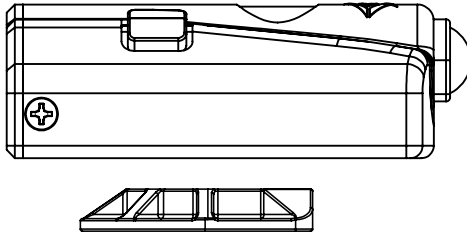
OPERATIONAL MODES

- ▣ Press the Dorsal Light Power/Mode Switch once to turn the Dorsal Light on to HIGH.
- ▣ Press the Dorsal Light Power/Mode Switch again to turn the Dorsal Light to LOW.
- ▣ Press the Dorsal Light Power/Mode Switch again to turn the Dorsal Light to STROBE.
- ▣ Press the Dorsal Light Power/Mode Switch again to turn the Dorsal Light OFF.
- ▣ Do the same with the Front Light Power/Mode Switch to control the Front Light.

INSTALLATION

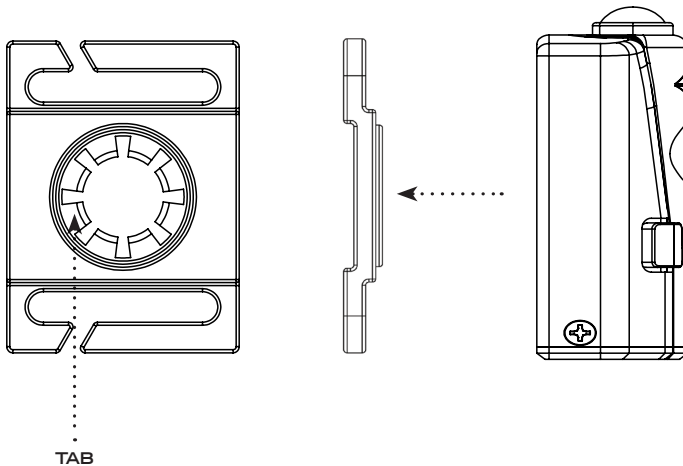
FLAT MOUNTING PAD / OPS-CORE MOUNT

Align bottom of D3060 with snap lock location on mount and snap D3060 light in place. Spin them and tug to make sure they are properly attached (image shown is Flat Mounting Pad).



BASE/MOLLE MOUNT

Align bottom of D3060 with the hole on the Base/MOLLE mount as shown. Push each of the eight tabs in individually. Make sure that the light turns and all the tabs have engaged.



WARRANTY AND OTHER INFORMATION

PRODUCT DURABILITY



PRODUCT NAME & PART NUMBER:

D3060 Trade Compliant, 700-310-TC

D3060 IR Trade Compliant, 700-319

CARE/CLEANING

Your FoxFury product is a professional tool. Regular maintenance and care of your light will maximize performance for you. As needed, clean your FoxFury product using a soft washcloth. Do not immerse.

ACCESSORIES

- ❖ D Series Mount Set, P/N 850-730

WARNINGS

FoxFury, LLC is not responsible for the incorrect use of any FoxFury Lighting product.

- ❖ Lights are strong enough to cause damage to the human eye.
- ❖ Do not stare into LEDs for long periods of time or from a close range (less than 2 ft / 0.6 m).
- ❖ FoxFury, LLC is not responsible for any injury or damage caused during the use of this product.
- ❖ Usage of this product must be supervised by an adult when it is being used by a minor.

- ❖ Any FoxFury product should be operated at speeds safe enough to maneuver around surrounding obstacles.

- ❖ Do not use under the influence of drugs or alcohol.

ONE YEAR WARRANTY

FoxFury, LLC ("FoxFury") warrants this product to be free from defects in material for one year after purchase. LiPo batteries have a one year pro-rated or 300 re-charge cycle pro-rated warranty, whichever the user reaches first.

This warranty is given only to the original end user of the accompanying product. If you purchased a product from someone other than an authorized FoxFury reseller/distributor or if the product was used, (including but not limited to demo models, show models or refurbished product by someone other than FoxFury) prior to your purchase, you are not the Original Purchaser and the product that you purchased is not covered by this warranty. This warranty is VOID if this Product has been altered or modified in any way (including but not limited to attempted warranty repair without authorization from Foxfury and/or alteration/removal of the serial number). To expedite warranty concerns, we encourage the end user to register their FoxFury Product at www.foxfury.com/pages/warranty-registration.

THIS IS THE ONLY WARRANTY,
EXPRESSED OR IMPLIED,
INCLUDING ANY WARRANTY OF
MERCHANTABILITY OR FITNESS
FOR A PARTICULAR PURPOSE.
INCIDENTAL, CONSEQUENTIAL
OR SPECIAL DAMAGES ARE
EXPRESSLY DISCLAIMED EXCEPT
WHERE SUCH LIMITATION IS
PROHIBITED BY LAW.

You may have other specific legal
rights which vary by jurisdiction. Go
to www.foxfury.com/pages/warranty
for a complete copy of the warranty.
Retain your receipt for proof of
purchase.

CONTACT FOXFURY

FoxFury, LLC

Oceanside, CA 92056 USA

Tel: 760.945.4231

Email: service@FoxFury.com

Web: FoxFury.com

All FoxFury products are designed in
Oceanside, CA. All FoxFury products
are manufactured with the highest
quality USA and foreign parts.
Products are assembled in either
FoxFury's controlled plant in Asia or
the USA, under strict quality control.

CALIFORNIA PROPOSITION 65

This product can expose you to
chemicals including Lead and DEHP,
which are known to the State of
California to cause cancer and
birth defects or other reproductive
harm. For more information go to
www.P65Warnings.ca.gov.

